

DOTTED IN PARTS ARE NOT MODELS. WHEN DOTTED USED POINTS MARKED X /

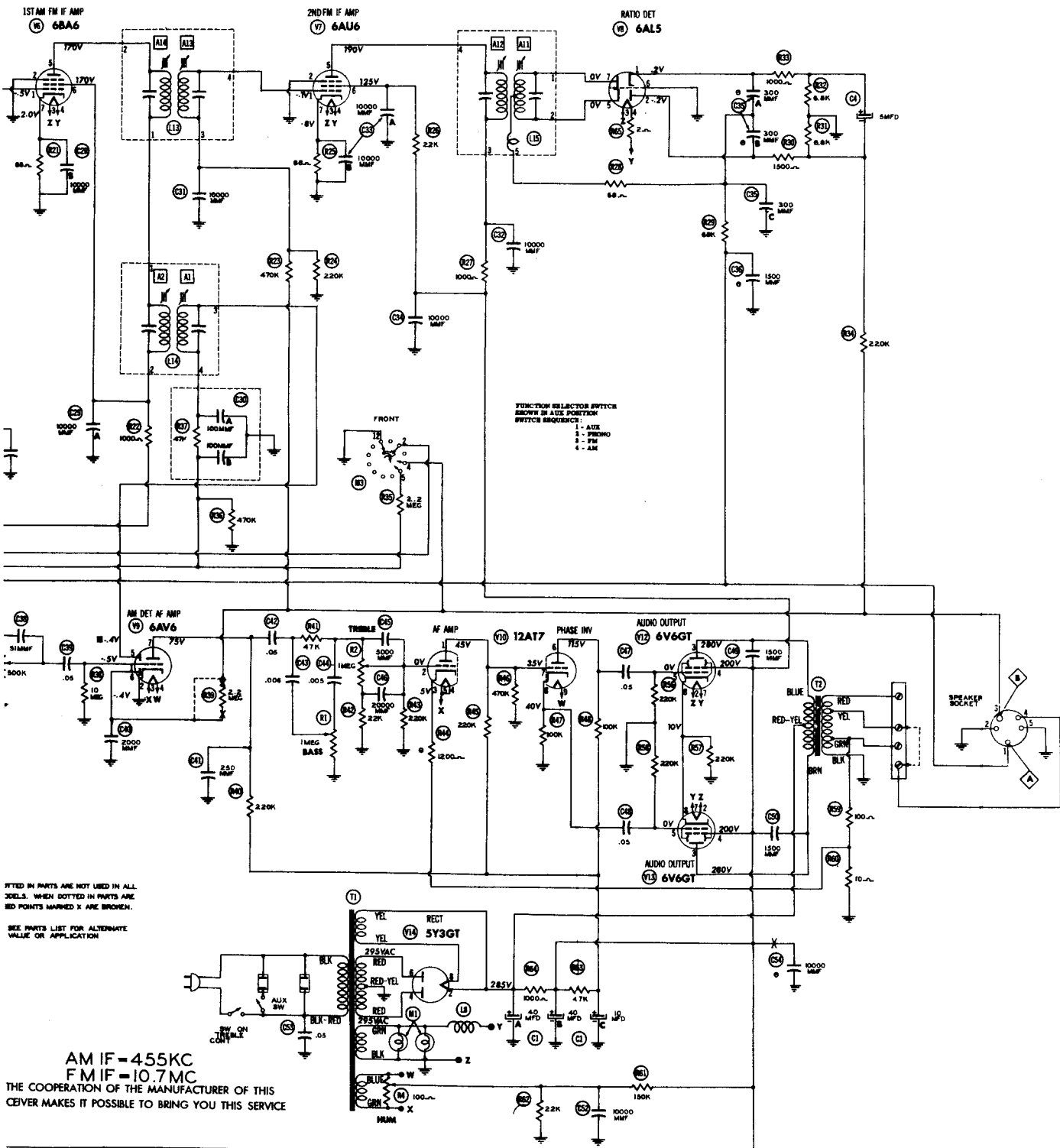
SEE PARTS LIST FOR VALUE OR APPLICABILITY

AN FM THE COOPERATIC RECEIVER MAKES IT

RECORD EQUALIZER SWITCH  
 ESCRIF IS OFF POSITION  
 SWITCH SEQUENCE:

V1	6B
V2	6B
V3	6C
V4	6B
V5	6B
V6	6A1
V7	6A1
V8	6A1
V9	6A1
V10	2A
V11	2A
V12	6Y
V13	6Y
V14	6Y

A PHOTOFAC STANDARD NOTATION SCHEMATIC  
 © Howard W. Sams & Co., Inc. 1954



NOTED IN PARTS ARE NOT USED IN ALL MODELS. WHEN DOTTED IN PARTS ARE RED POINTS MARKED X ARE BROKEN.

SEE PARTS LIST FOR ALTERNATE VALUE OR APPLICATION

AM IF = 455 KC  
 FM IF = 10.7 MC  
 THE COOPERATION OF THE MANUFACTURER OF THIS SET MAKES IT POSSIBLE TO BRING YOU THIS SERVICE

RESISTANCE READINGS

Item	Value	Pin 1	Pin 2	Pin 3	Pin 4	Pin 5	Pin 6	Pin 7	Pin 8	Pin 9
V 1	6BA6	1.75MΩ	80	.10	80	120K	120K	80		
V 2	6BA6	220K	300	.10	80	120K	120K	80		
V 3	6C4	120K	200	.10	80	120K	470K	80		
V 4	6BA6	50.25MΩ	80	80	.10	120K	120K	80		
V 5	6BA6	220K	10	80	80	120K	120K	80		
V 6	6BA6	22.75MΩ	300	80	80	120K	120K	80		
V 7	6AV6	220K	80	80	.10	120K	120K	80		
V 8	6AL5	7.5K	8.5K	80	.10	200	80	200		
V 9	6AV6	220K	80	80	80	120K	120K	80		
V 10	12AT7	120K	220K	1.5K	220K	220K	120K	120K	220K	220K
V 11	12AT7	220K	220K	2.2K	220K	220K	120K	1.5K	220K	220K
V 12	6V6GT	80	80	120K	120K	220K	220K	.10	220K	220K
V 13	6V6GT	80	80	120K	120K	220K	220K	.10	220K	220K
V 14	6V6GT	80	80	120K	120K	220K	220K	.10	220K	220K

- DC voltage measurements taken with vacuum tube voltmeter; AC voltages measured at 1000 ohms per volt.
- Socket connections are shown as bottom views.
- Measured values are from anode; pin to common negative.
- Line voltage maintained at 117 volts for voltage readings.
- Nominal tolerance on component values makes possible a variation of ±10% in voltage and resistance readings.
- Voltage control at maximum, no signal applied for voltage measurements.

ALL MEASUREMENTS ARE IN FM POSITION UNLESS OTHERWISE DESIGNATED  
 \* MEASURED IN AM POSITION  
 † MEASURED IN PHONO POSITION  
 ‡ MEASURED FROM PIN 2 OF V14